

BIN

Designer: SPARK - Michelle Herbutt



SLAT OPTIONS

- Oiled hardwood

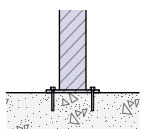
FRAME OPTIONS

- Hot dip galvanised mild steel

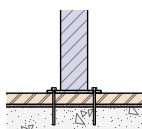
FRAME FINISHES

- Galvanised
- Powdercoat

INSTALLATION



Bolt Down



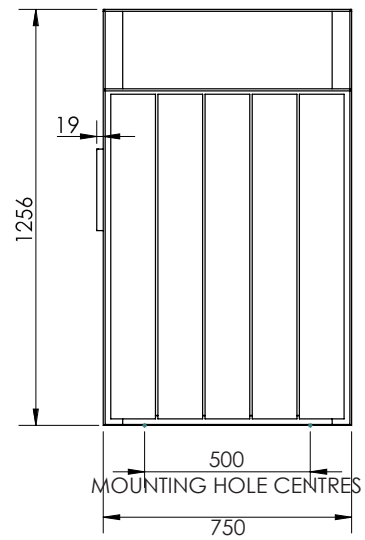
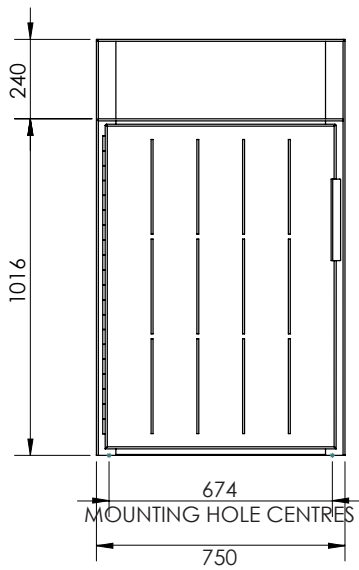
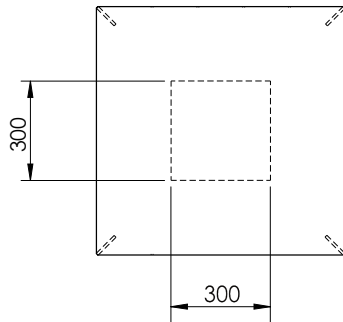
Bolt Through

FIXINGS

- 12mm fixings for 14mm
- Diameter holes

REUNION BIN

SPECIFICATIONS



Measurements are in millimetres. Drawings are not to scale.

PRODUCT CODE	FRAME FINISH	SLAT OPTION
REU001-HDG-GV-T	Galvanised	Oiled hardwood timber
REU001-HDG-PC-T	Powdercoated	Oiled hardwood timber